

MAX-8

V2201.01



MAX-8

Excellent Performances & Reliability

CPD30/35F8

Four-wheel Electric Forklift 3.0/3.5t

Strong and Reliable;

Low battery protection makes long service life;

Regenerative brake and anti-roll back in slope ensure safety operation;

One-step molding standard automobile oil tank, more clean and reliable inside.


Let's grow together

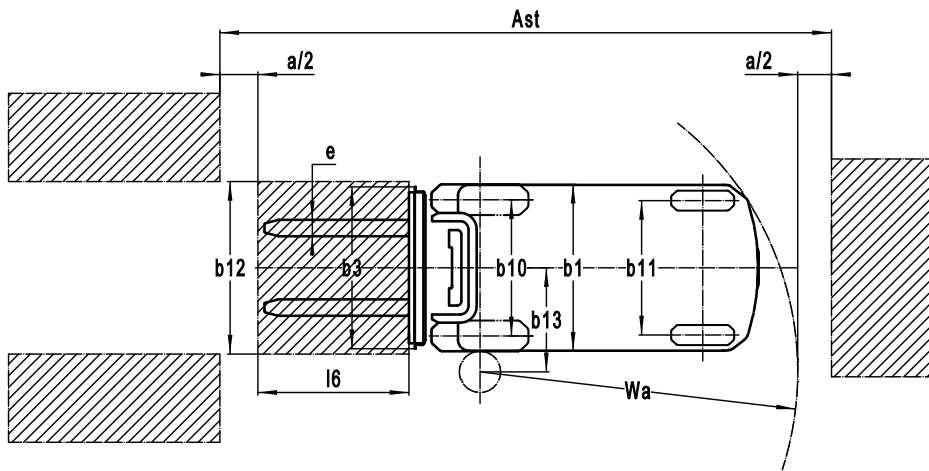
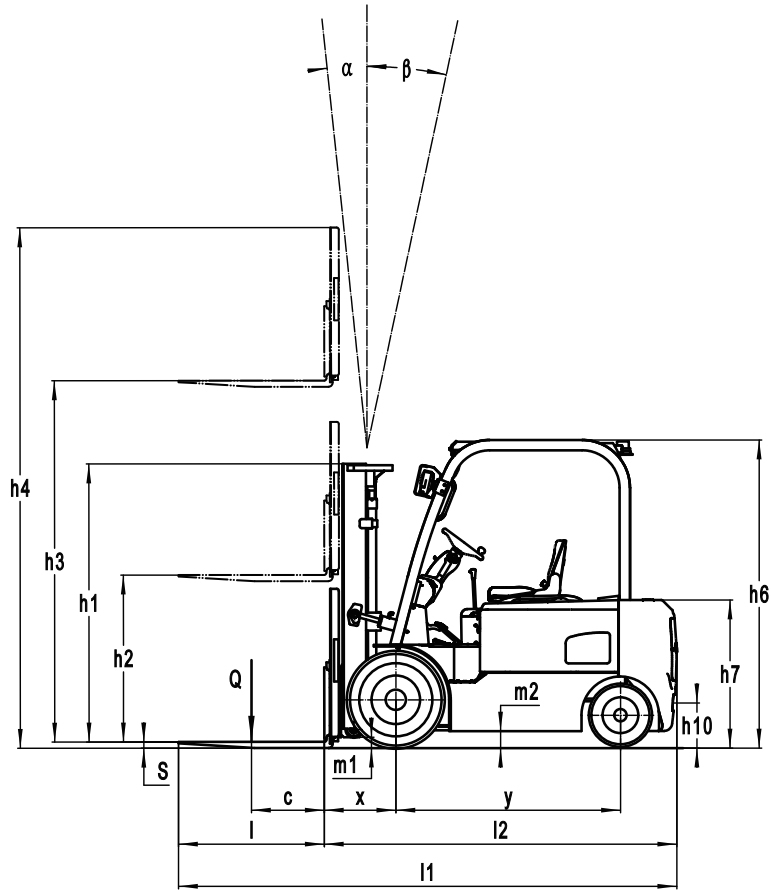
EP EQUIPMENT CO.,LTD

www.ep-ep.com

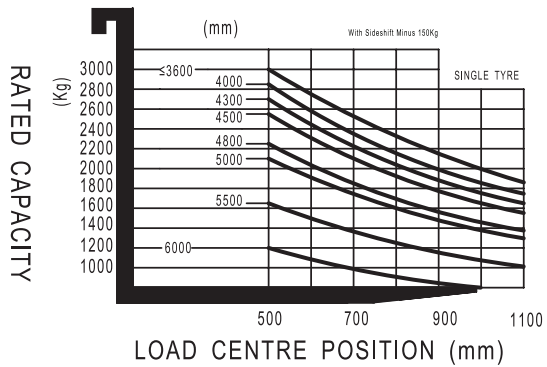
Four-wheel Electric Forklift 3.0/3.5t CPD30/35F8

Distinguishing mark	1.1	Manufacturer			EP	EP
	1.2	Model designation			CPD30F8	CPD35F8
	1.3	Drive			Electric	Electric
	1.4	Operator type			Seated	Seated
	1.5	Load capacity	Q	kg	3000	3500
	1.6	Load center distance	c	mm	500	500
	1.8	Load distance, centre of drive axle to fork	x	mm	500	500
	1.9	Wheelbase	y	mm	1622	1622
	Service weight	2.1	Service weight		kg	4980
2.2		Axle loading, laden front/rear		kg	7230/750	7800/800
2.3		Axle loading, unladen front/rear		kg	2140/2840	2200/2900
Tyres/chassis	3.1	Tyre type			Pneumatic	Pneumatic
	3.2	Tyre size, front			28X9-15	28X9-15
	3.3	Tyre size, rear			18X7-8	18X7-8
	3.5	Wheels, number front/rear (x=drive wheels)		mm	2x/ 2	2x/ 2
	3.6	Tread width, front	b10	mm	1000	1000
	3.7	Tread width, rear	b11	mm	980	980
	4.1	Tilt of mast/fork carriage forward/backward	α/β	°	6/ 10	6/ 10
Dimensions	4.2	Retracted mast height	h1	mm	2000	2000
	4.3	Free lift	h2	mm	120	120
	4.4	Lift height	h3	mm	3000	3000
	4.5	Height, mast extended	h4	mm	4105	4105
	4.7	Height of overhead guard (cabin)	h6	mm	2220	2220
	4.8	Seat height/standing height	h7	mm	1110	1110
	4.12	Tow coupling height	h10	mm	310	310
	4.19	Overall length	l1	mm	3620	3620
	4.20	Length to face of forks	l2	mm	2550	2550
	4.21	Overall width	b1/b2	mm	1220	1220
	4.22	Fork dimensions	s/e/l	mm	45×125×1070	50×125×1070
	4.23	A,B Fork carriage class/type A, B			3A	3A
	4.24	Fork carriage width	b3	mm	1180	1180
	4.31	Ground clearance, laden, below mast	m1	mm	130	130
	Performance data	4.32	Ground clearance, center of wheelbase	m2	mm	120
4.34.1		Aisle width for pallets 1000×1200 crossways	Ast	mm	4000	4000
4.34.2		Aisle width for pallets 800×1200 crossways	Ast	mm	4200	4200
4.35		Turning radius	Wa	mm	2300	2300
5.1		Travel speed, laden/unladen		km/h	11/ 12	11/ 12
5.2		Lifting speed, laden/unladen		m/s	0.23/ 0.37	0.23/ 0.37
5.3		Lowering speed, laden/unladen		m/s	0.50/ 0.48	0.50/ 0.48
5.5		Drawbar pull, laden/unladen		N	—	—
5.6		Max. drawbar pull, laden/unladen		N	18000	18000
5.8		Max. gradeability, laden/unladen		%	10.5/12	10.5/12
Electric-engine	5.10	Service brake			Hydraulic	Hydraulic
	5.11	Parking brake			Mechanical	Mechanical
	6.1	Drive motor rating S2 60 min		kW	16.6	16.6
	6.2	Lift motor rating at S3 15%		kW	10	10
	6.4	Battery voltage/nominal capacity		V/Ah	80/500	80/500
Addition data	6.5	Battery weight		kg	1350	1350
	8.1	Type of drive control			AC	AC
	10.5	Steering design			Hydraulic	Hydraulic
	10.7	Sound pressure level at the driver's ear		dB(A)	75	75

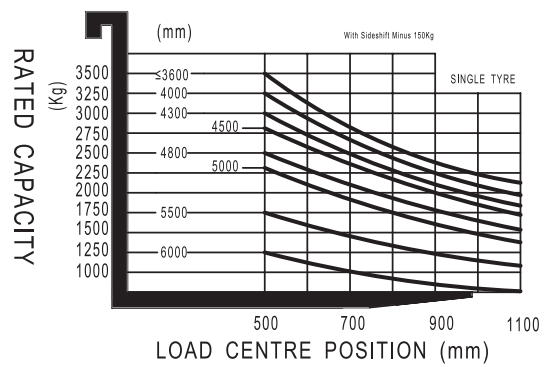
If there are improvements of technical parameters or configurations, no further notice will be given.
The diagram shown may contain non-standard configurations.



CPD30F8
RATED CAPACITIES GRAPH



CPD35F8
RATED CAPACITIES GRAPH



Mast Option

Mast types	Lift height (h3) mm	Height, Mast			Height,Free lift(h2)	
		Height, mast lowered(h1) mm	Height, mast extended(h4)		No backrest mm	With backrest mm
			No backrest mm	With backrest mm		
2-Standard Mast	2700	1850	3405	3805	120	120
	3000	2000	3705	4105	120	120
	3300	2150	4005	4405	120	120
	3600	2300	4305	4705	120	120
	4000	2550	4705	5105	120	120
	4300	2700	5005	5405	120	120
	4500	2800	5205	5605	120	120
2-Free Mast	2700	1885	3415	3805	1170	780
	3000	2035	3715	4105	1320	930
	3300	2185	4015	4405	1470	1080
	3600	2335	4315	4705	1620	1230
3-Free Mast	4300	2035	5005	5405	1330	930
	4500	2115	5205	5605	1410	1010
	4800	2220	5505	5905	1515	1115
	5000	2305	5705	6105	1600	1200
	5500	2555	6205	6605	1850	1450
	6000	2805	6705	7105	2100	1700



Option

No.	Optional items	CPD30/35F8
1.1	Fork dimension	●122*45*1070○122*45*1150 ○122*45*1220○122*45*1370 ○122*45*1520○122*45*1600 ○122*45*1700○122*45*1820
1.3	Fork lowered height	-
1.4	Fork carriage width	●1100mm○Yes and can be customized
1.5	Fork carriage height	●1095mm○Yes and can be customized
2.4	Front wheel type	-
2.5	Front wheel material	●PU○Solid○Non-marking
2.6	Rear wheel material	●PU○Solid○Non-marking
2.7	Battery capacity	●80V500AH○80V550AH
2.8	Charger	●80V70A
2.9	Battery indicator	●With time
2.10	Seat type	●Regular○Premium○Suspension
2.11	Attachments	●No○Built-in sideshifter○External shifter○Adjustable fork
2.12	Safe hook	-
2.13	Traction pin	●Yes
3.1	Foldable fork	●No○Yes and not customized
3.4	Water auto-filling system	●No○Yes and not customized
3.5	Front lamp	●LED
3.6	Rear lamp	●No○LED
3.7	Warning lamp	●Yes
3.8	Steering lamp	●Yes
3.9	Blue lamp	●No○2 front○1 rear○2 front + 1 rear
3.10	Area warning lamp	●No○1 left + 1 right (Red)
3.11	Rearview mirror	●1 in the middle○Add 1 rearview mirror on both sides
3.12	Buzzer	●Yes
3.15	Fire extinguisher	●No○Yes and not customized
3.17	OPS system	●No○Yes and not customized
3.18	Guide wheel	-
3.19	USB interface	-
3.20	Step on the safety switch with both	-
3.21	Electronic sale	-
3.22	Electronic sale with print	-
4.3	Cabin	●No○Basic semi-enclosed cabin ○Upgrade semi-enclosed cabin○Full cabin
4.7	Overhead guard	●No○Yes and can be customized
4.9	Heater	●No○Yes and not customized